

# Segments



HERITAGE BUILDINGS



RESIDENTIAL



AIRPORTS



WAREHOUSES & COLD STORAGES



COMMERCIAL & INDUSTRIAL



MANUFACTURING UNITS



HOSPITALS



EDUCATIONAL INSTITUTES



PARKING SHEDS



RAILWAY COACHES



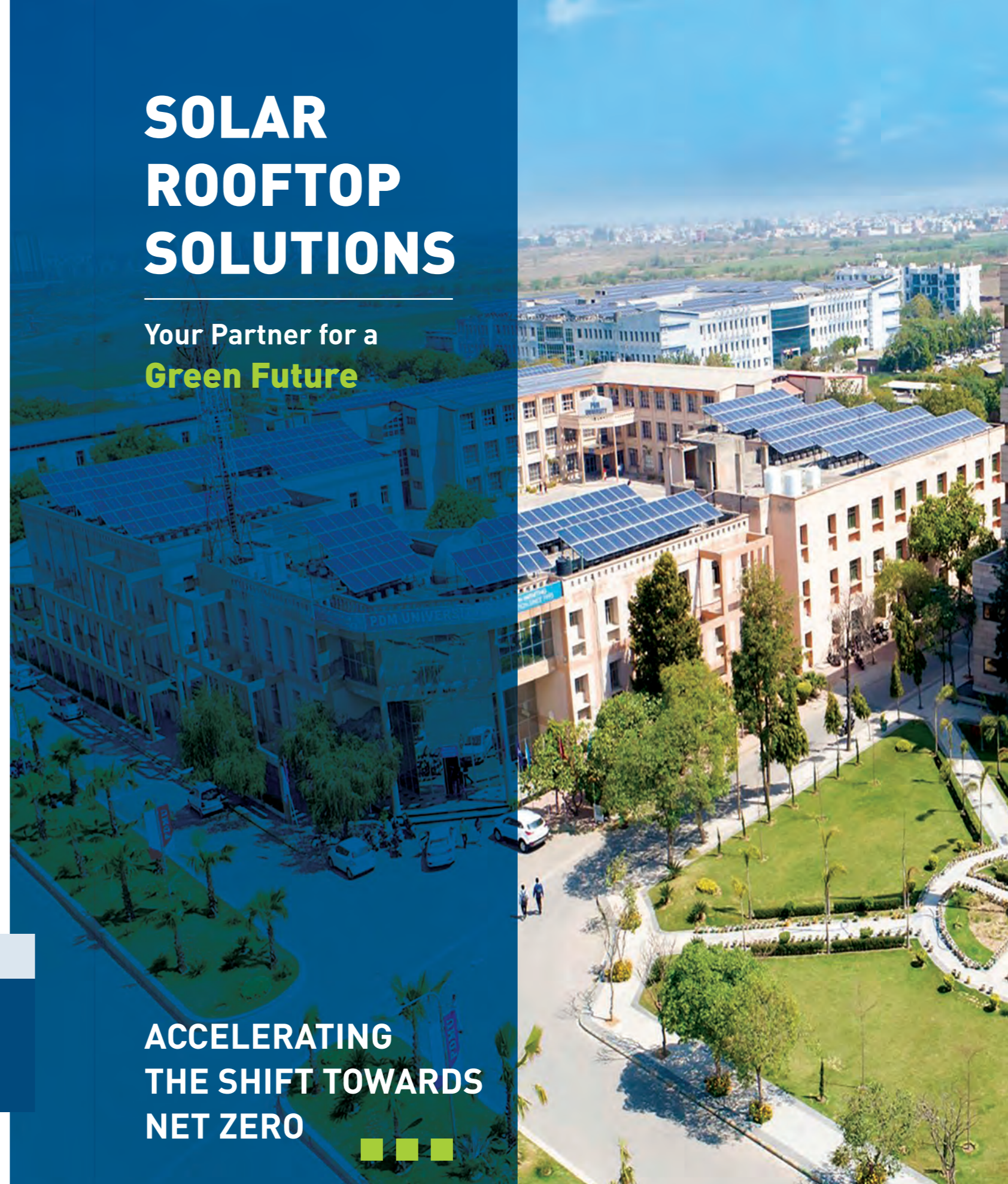
STADIUMS



EXPRESSWAYS

# SOLAR ROOFTOP SOLUTIONS

Your Partner for a **Green Future**



## ACCELERATING THE SHIFT TOWARDS NET ZERO

DISTRIBUTED ENERGY | SOLAR | EPC | GREEN ENERGY

SCAN TO DOWNLOAD



### JAKSON GROUP

A-43, Phase-II Extn., Hosiery Complex, Noida-201305, U.P., India  
Tel.: +91-120-4302600, 4526100 | Toll Free No. : 1800 103 2600  
E-mail: customer.support@jakson.com | www.jakson.com

Specifications are subject to change without notice.  
©2021 JAKSON GROUP All rights reserved.

# SOLAR ROOFTOP



## Benefits of Rooftop Solar

- Up to 70% savings in electricity costs
- Typical break-even period of 4-5 years
- More than 20% ROI
- Accelerated Depreciation – 80% in two years for added tax benefit
- One time investment with fixed energy cost
- Govt. subsidy benefits
- Benefit of Net Metering
- Reduced dependence on fossil fuels
- Contribute towards a greener environment
- Ideal for industrial, commercial and residential sectors

## Our Credentials

**1.5+ GW**  
EPC Portfolio

**100+ MW**  
Rooftop Portfolio

**600 MW**  
Annual Module Manufacturing Capacity

## Our Expertise

- 75 years of Reliability and Trust
- Integrated Project Solution provider
- Proven rooftop solar EPC execution expertise in C&I from 100 KW to MW scale
- In-house engineering & design, procurement, construction and O&M
- Best in Class LCOE (Levelized Cost of Energy)
- Single window source for service & supply
- In-house manufacturing of solar PV modules
- Module Range 335 Wp to 600 Wp with >21% efficiency
- Our PV modules comply to all relevant IEC, BIS and UL certifications
- ALMM certified solar module manufacturer
- 60,000+ satisfied customer base



Solar Module Manufacturing Facility

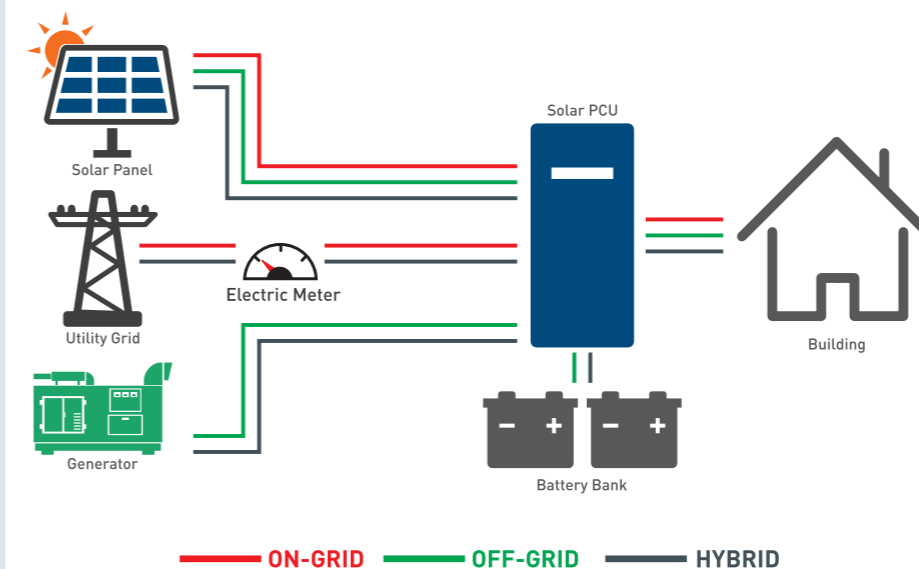
## Scope of Services

- Feasibility Analysis
- Design & Engineering
- Equipment Supply
- Installation & Commissioning
- Performance Testing
- Operation & Maintenance

## Our USP

- Linear Performance Warranty of modules 25 years
- Faster Return on Investment
- Remote Monitoring Systems
- Power backup for non-sunny days
- Complete end-to-end solutions

## Our Rooftop Solutions



### On-Grid solutions with net/gross metering

- Direct power - sun to home
- Utility grid connected
- Saves money - net metering
- Generation time 6-8 hrs

### Off-Grid solutions for remote application

- Battery bank for storing energy
- Energy self sufficiency
- Reliable systems 24x7

### Hybrid solutions for power deficit areas

- Compatible with generator
- Grid synchronisation
- Store and export power in case of surplus production